

# E-LOCK® – Fit Chart

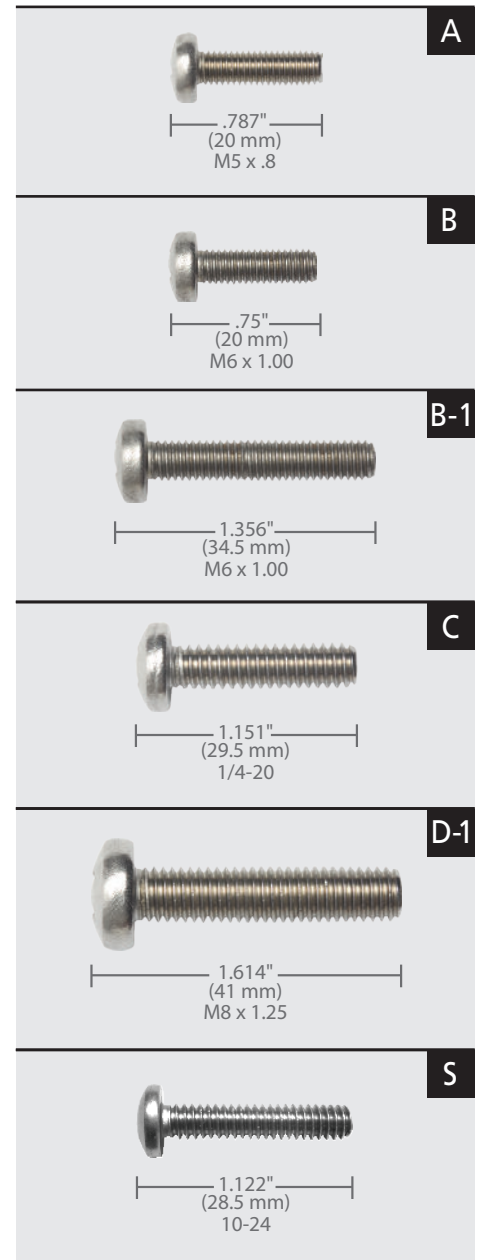
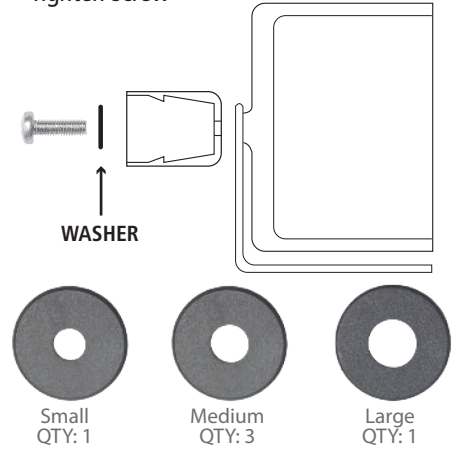
Can't find your unit on the fit chart?  
Contact us direct and we'll find the screw you need.

\*Screws: E, R, and V are available upon request. Contact us direct and we'll ship it to you – no extra charge.

MFG BRAND	MFG MODEL #	UEL50 FIT	SCREW
<b>COBRA</b>	All Models	YES	A
<b>FURUNO</b>	FCV 585, 587, 620, 627 Models	Special Order - Please Call	V
	All Other Models	YES	B-1 or D-1
<i>Excluding Echo Map Quick Release</i>			
<b>GARMIN</b>	All Models	YES	B-1
	Striker 7 (Needs Thinner Outer Housing)	Special Order - Please Call	B-1
<b>HUMMINBIRD</b>	1100 SERIES All Models	Special Order - Please Call	E
	800 SERIES All Models	YES	C
	900 SERIES All Models	YES	C
	HELIX SERIES All Models	YES	S
	ONIX SERIES All Models	YES	C
	SOLIX SERIES All Models	YES	C
<b>HYDRO WAVE</b>	H2	Special Order - Please Call	R
<b>ICOM</b>	All Models	YES	A
<b>LOWRANCE</b>	Elite-9 & 12 ONLY	YES	B-1
	HDS SERIES All Models	YES	B or B-1
	HOOK SERIES 7-12	YES	B-1
	LINK SERIES All Models	YES	A
	LVR SERIES All Models	YES	A
<b>RAYMARINE</b>	All Models (Most Models Use Screws B & D)	YES	B-1 or D-1
<b>SIMRAD</b>	30-50 SERIES All Models	YES	B-1
	AP35	YES	B-1
	GO7-9	YES	D-1
	NSE 8-12	YES	D-1
	NSS 7-16 All	YES	D-1
<b>STANDARD HORIZON</b>	All Models	YES	A
<b>UNIDEN</b>	All Models	YES	A

# E-LOCK® (UEL50) Installation Instructions

- Find your unit on our fit chart
- Select proper screw and washer (Washer must be used. Use more than one provided washer if screw bottoms out before tight.)
- Remove existing knob, assemble as shown
- Tighten screw



## E-LOCK® for Minn Kota® Quick Release Brackets Installation Instructions

- 1) Remove lock from package, insert key and turn counter-clockwise to allow inner piece of lock body to drop out. Then turn key back clockwise so it is in the locked position.
- 2) Using Screw C and a medium washer from fit chart, place washer on screw and feed through hole of inner piece.
- 3) Unscrew thumb screw from side of Quick Release Bracket. Remove washer from thumb screw and place on screw protruding from bottom of lock.
- 4) Screw bottom of lock in place of thumb screw and tighten.
- 5) Install outer piece of the lock body and be sure it is secure by pulling back.

## Fits These Minn Kota® Quick Release Brackets

**MKA-16-02**  
**MKA-16-03**  
**MKA-42**  
**MKA-52/62**  
**MKA-47**

\*Does not fit puck style composite mounts

REV0419