

Web site: www.marinco.com

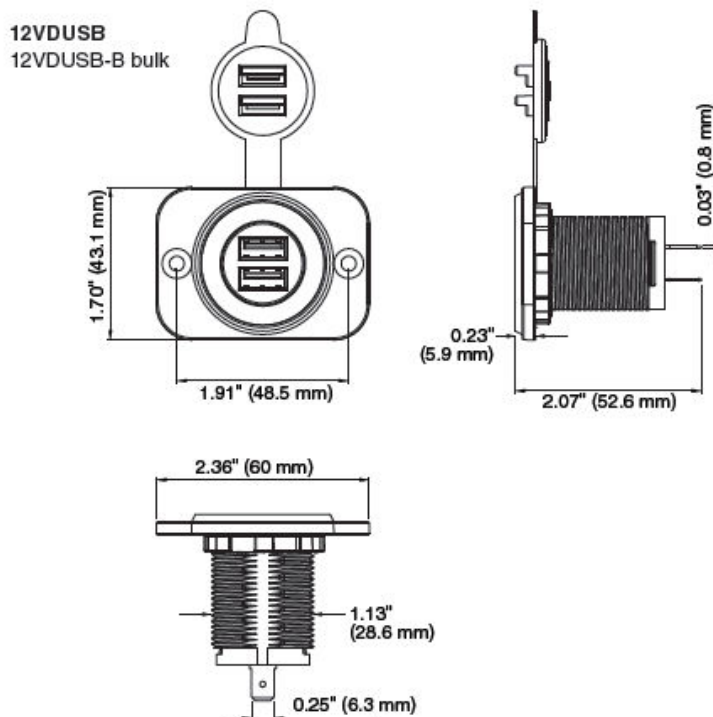
Phone: 800-307-6702

Date: May 5, 2015 Rev: 01

Dual USB 12-24V

Catalog Number: 12VDUSB-B

- Item: Sealink Dual USB, 12-24 volt
- Rating: 12-24V, 2.1A
- Materials: Plastic parts are glass-filled nylon. Metal current carrying parts are nickel plated brass for corrosion protection. Cap is made from PVC material.
- Terminals: NEMA .250" quick connect tabs for negative and positive.
- Mounting: Provision for two mounting means.
Rear mount—provided with non-metallic locknut.
Front mount—provided with mounting plate and black coated steel screws.
- Construction: Provided with cap to seal receptacle when not in use. Body provided with double D shape to prevent turning.
- Dimensions:



Part No.	12VDUSB-B
Max Output Current	2.1A Total
Input Voltage	12-24V DC
Input Voltage Range	10.0 - 30.0V DC
No Load Current Draw	<15mA @ 13.6V
Protection	
Thermal Overload	Yes
Output Short Circuit	Yes
Reverse Polarity	Yes
USB Size	2.0
Output Voltage Ripple	Max 150mV p-p
Dielectric Strength	1500VAC 1 min

Installation Instructions

- Determine the location for the receptacle, mark the center point and drill or cut a 1-3/16" diameter hole.
- Remove the threaded locking ring and place the receptacle into the opening. The receptacle can be secured from the back by screwing the threaded locking ring onto the receptacle until it is snug OR by snapping the front mounting plate over the flange on the front of the receptacle and securing it with the mounting screws.
- Two NEMA quick-connect terminals are provided at the back of the receptacle to connect to the boat's wiring. The wiring should be at least 16 gauge, protected by a 5 amp fuse at the source. The 12VDUSB comes with insulated terminals for 14-16 AWG wire. Connect the positive (red) wire from the battery to the terminal tab marked "+" and the negative wire (black or yellow) from the battery to the terminal tab marked "--".
- Two black screws are included to secure the mounting plate

