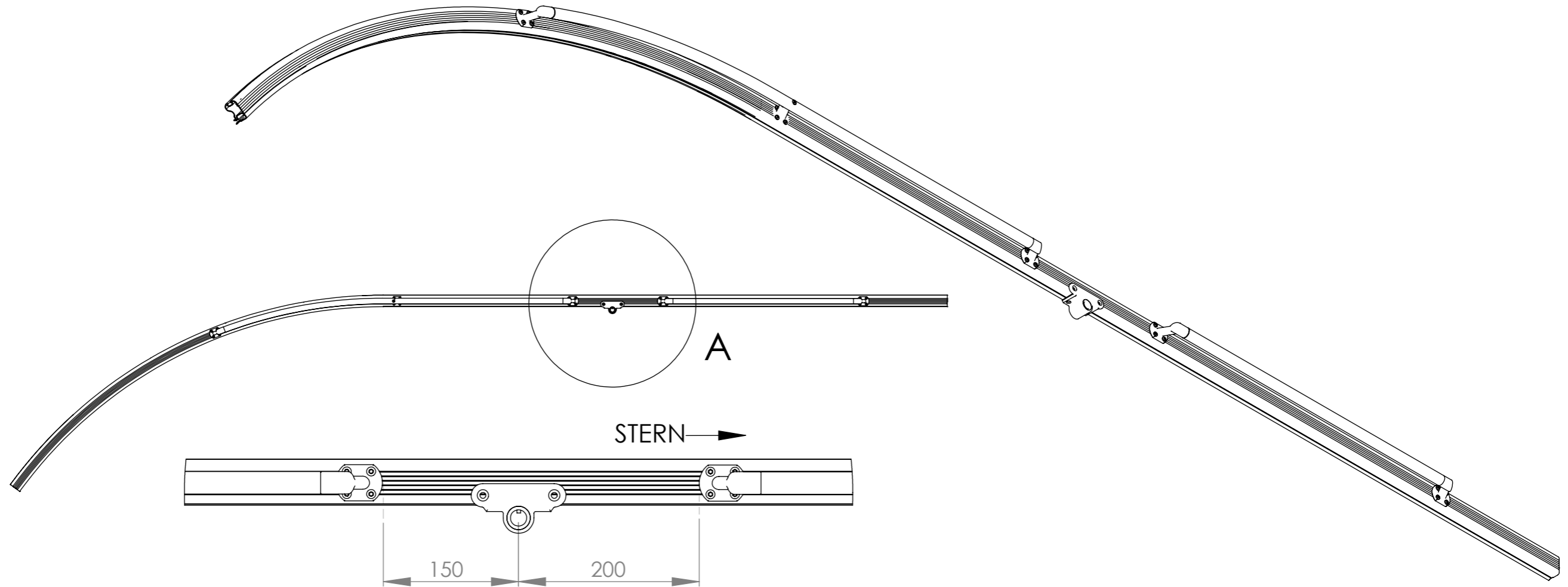
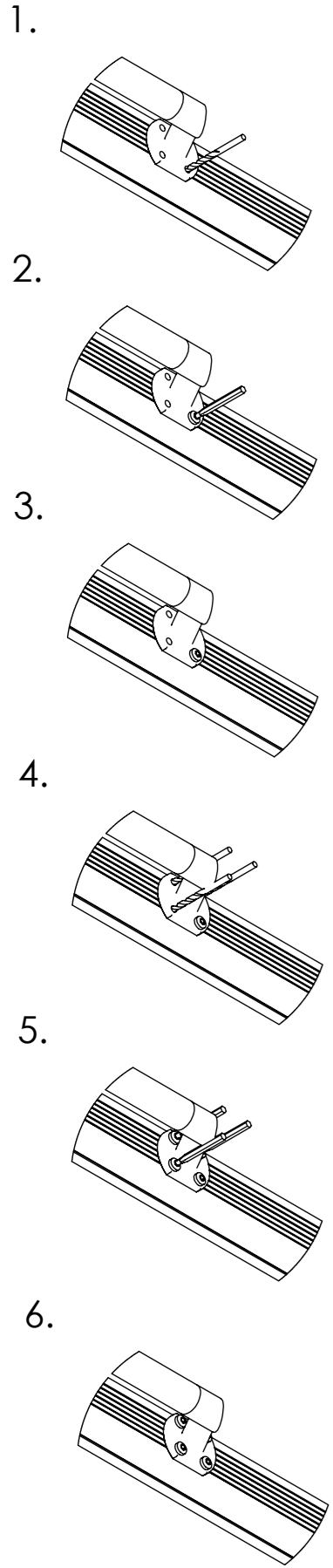
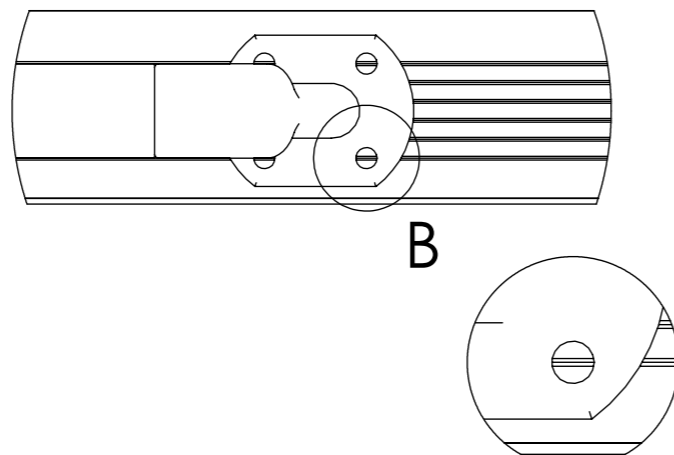


Rail

Art.No: 712030



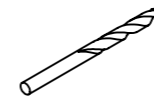
DETAIL A
SCALE 1 : 5



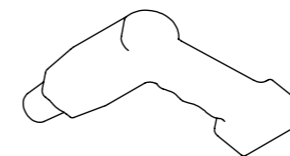
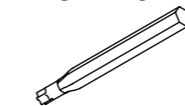
DETAIL B
SCALE 1 : 1

Tools needed

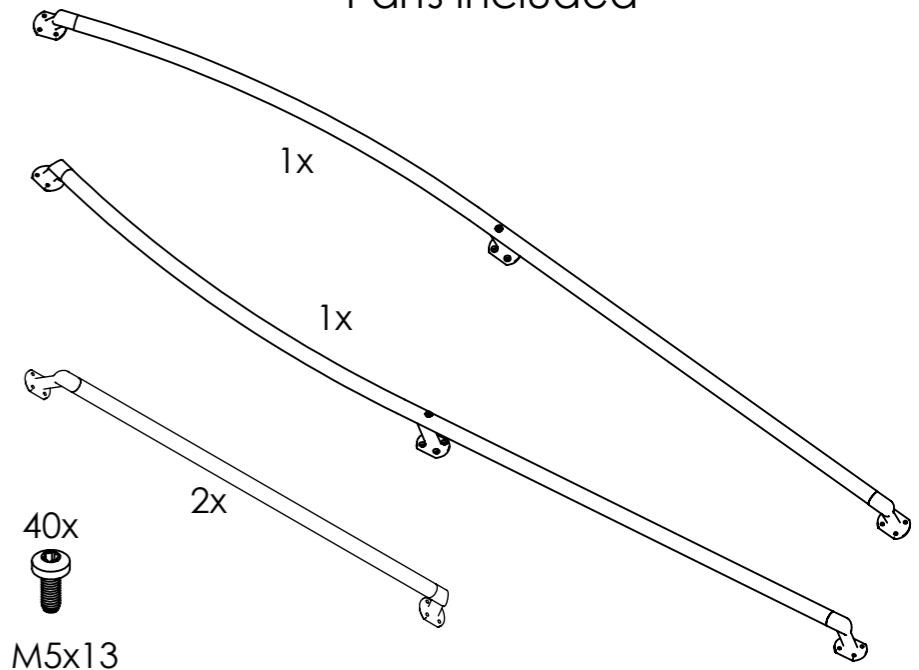
∅ 4,5mm



Torx 25



Parts included



40x
M5x13

