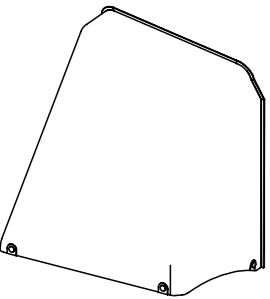




# Kapell styrpulpethuv 460/445 2015-

Art.Nr: 302464 (right)  
302466 (left)

-  x1  
811987  
811988
-  x4  
811118
-  x4  
810992

